

Disposal & Dismantling

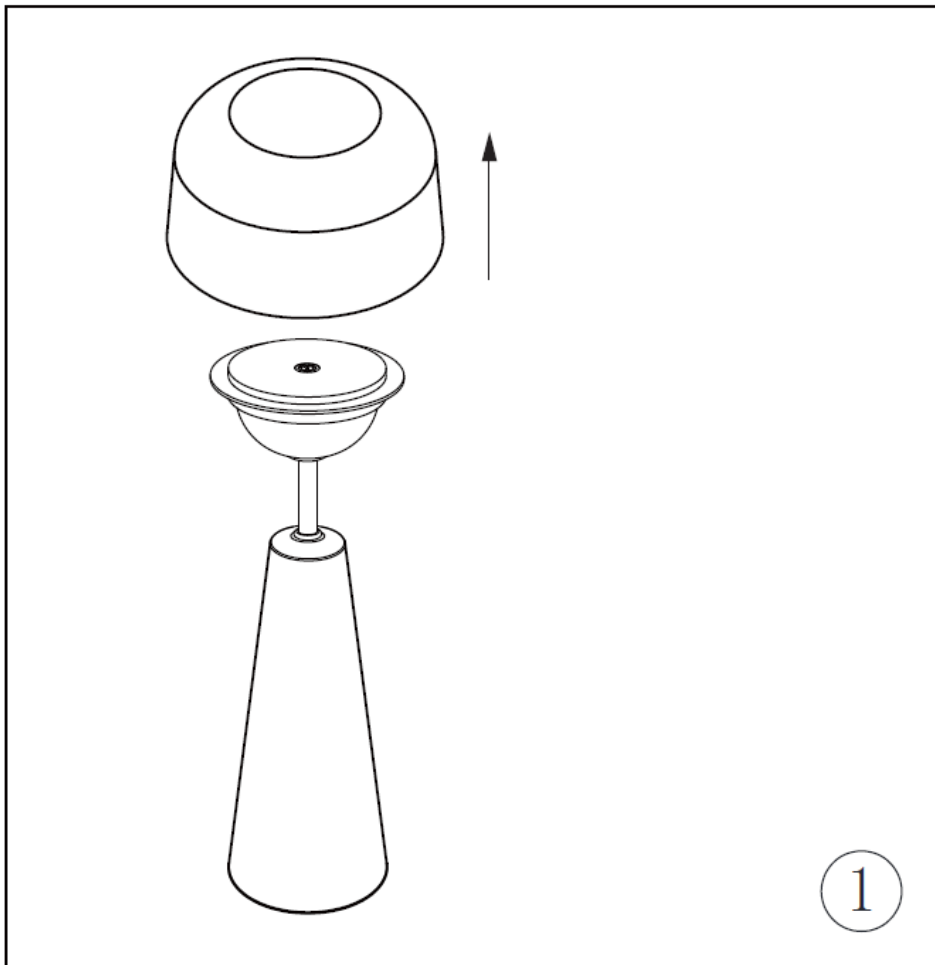
Article number: 4307778
Light source: LT2517_module

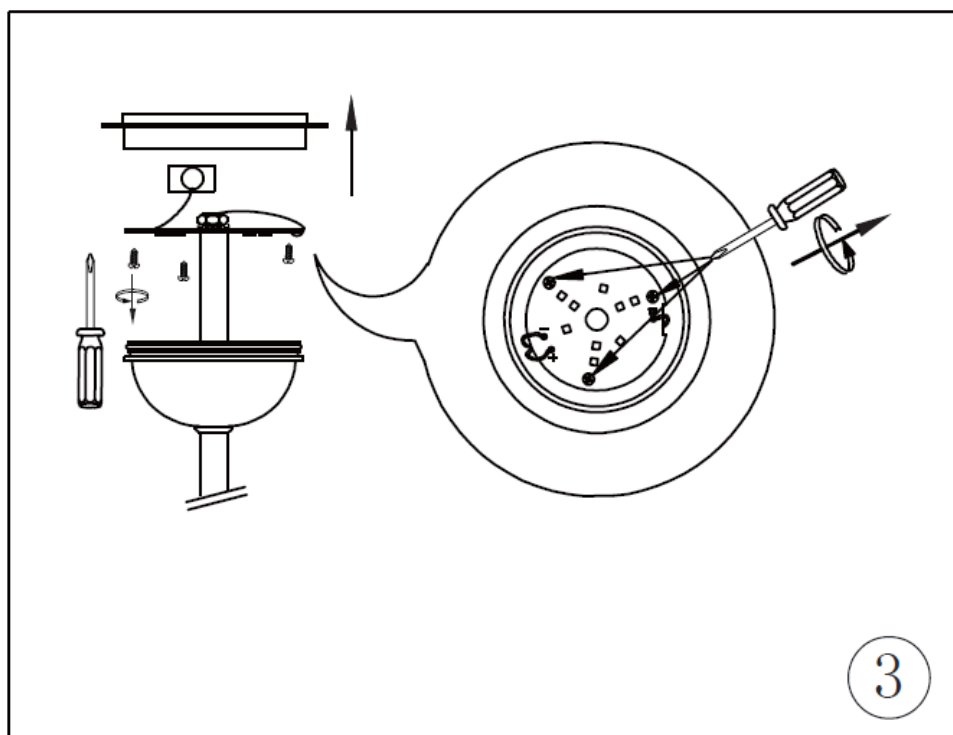
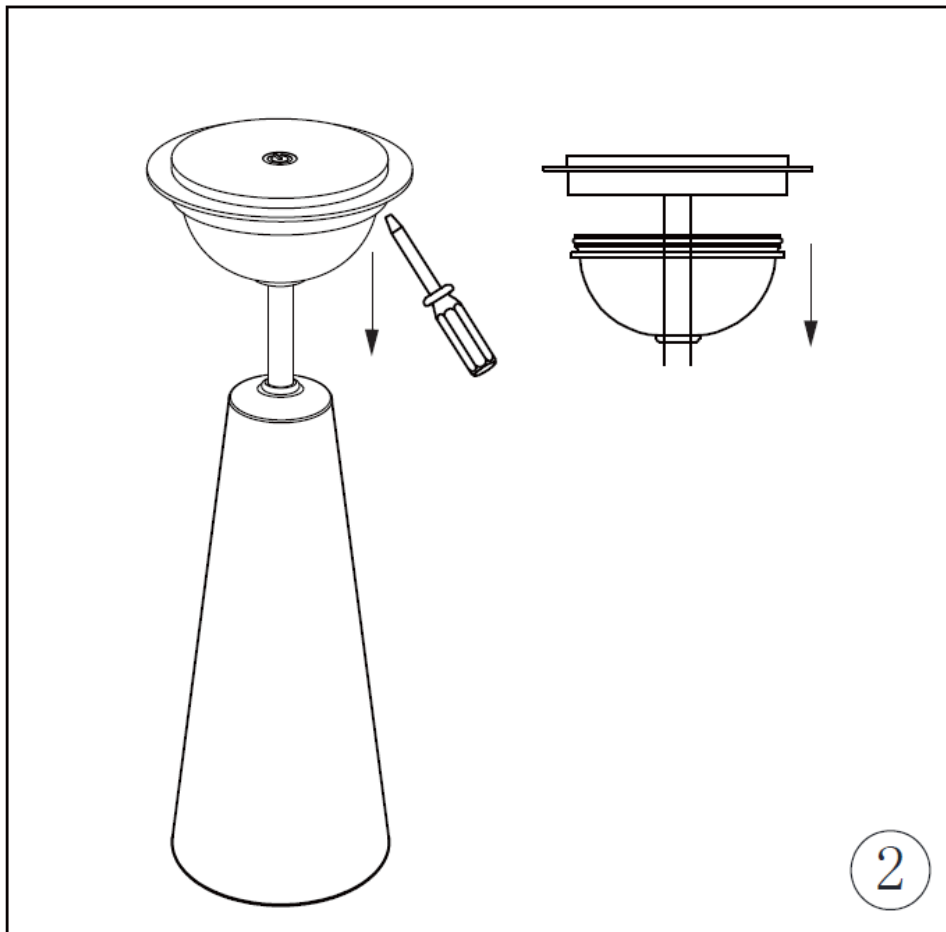
Dismantling of light source for disposal purposes

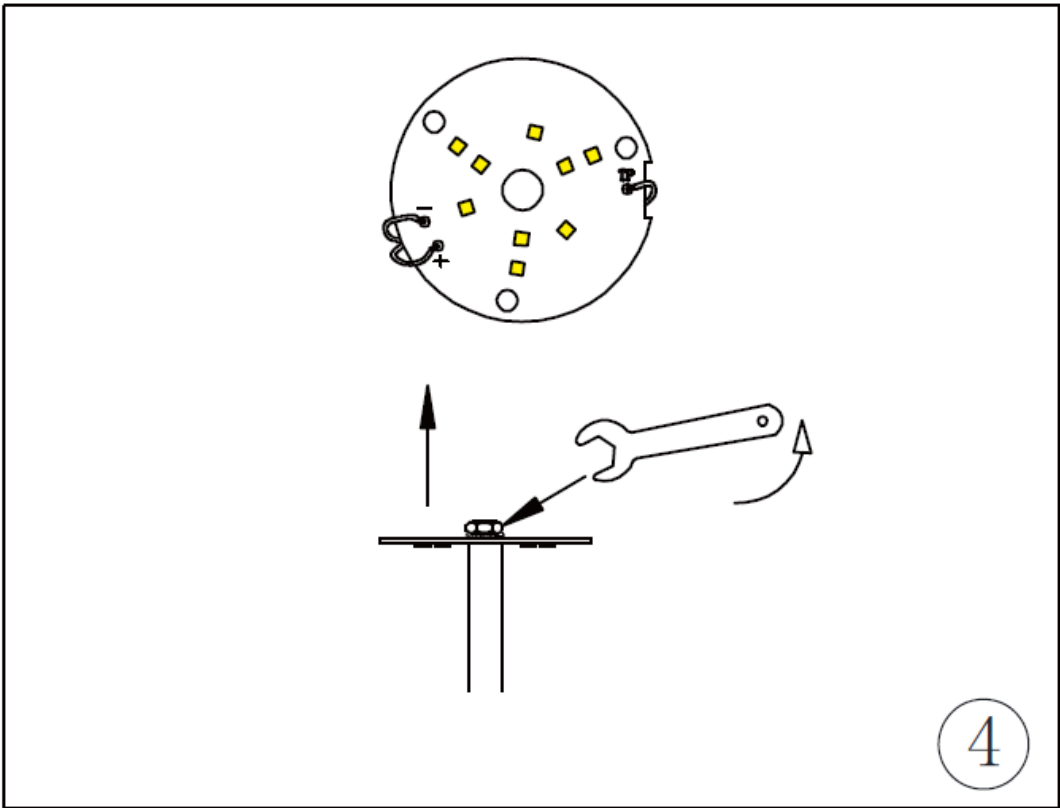
Firstly, disconnect the product from any power supply. Secure it against unauthorized switching on. Follow the steps indicated in the drawings.

- ① Remove the lamp shade.
- ② Pry the diffuser open and remove the diffuser.
- ③ Remove the screws on the LED module and take the plastic cover off.
- ④ Remove the wire and nut.

Remove the light source and dispose of it according to the relevant legal regulations.







Manufacturer

DI-KA Vertriebsgesellschaft mbH & Co. KG
Oberstrasse 4
59755 Arnsberg
Germany
Tel: +49 2932 9022580
<http://www.di-ka.net/>